

RPS International Inc.

780-668-3395/780-962-1443 Fax

Joepono@telusplanet.net



TPS Tactical Precision Systems Inc.



We are pleased to offer the high quality TPS products to our clients. Please take a moment to review the product details prior to ordering.

TPS offers 3 styles of scope rings.

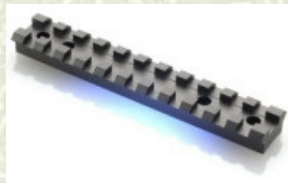


HRT series....



....TRS and W series

TPS offers Picatinny one piece bases/rails



RPS International Inc.

780-668-3395/780-962-1443 Fax

Joepono@telusplanet.net



TSR Scope Rings.

TSR™ RINGS

A .020 of an Inch gap to ensure adequate adjustment for variety of scope manufactures.

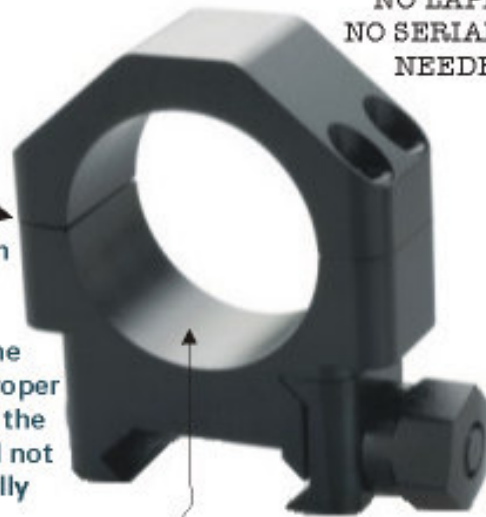
The TPS™ Rings utilize a unique design which allows the user to fully tighten the left side of the ring, uniquely allowing the user to precisely rotate the scope to adjust the scope reticle for proper position, then tighten the right side of the rings, guaranteeing that the scope will not rotate within the rings, which is virtually impossible in any other design.

Both Base and Cap of each scope ring is within .0002 of an Inch cylindrical roundness, guaranteeing as much as 98% scope tube to ring contact, compared to 40% on normal rings. The necessity of serializing or lapping scope rings are now obsolete.

TPS™ tactical rings are manufactured from a solid billet of 7075-T651 aluminum. The scope rings and components are manufactured using state-of-the-art Computer Numerically Controlled (CNC) machines. Each and every part is processed and inspected to ISO 9002 quality standards throughout the manufacturing process.

The cross bolt and tightening nut are from alloy steel, finished with black oxide to Mil-C-13924 standards. The ring body and cap are finished in a matte black hard anodized to Type III per Mil-A-8625 standards. The ring caps are securely clamped to the ring base with (4) four Torx® screws.

**NO LAPPING
NO SERIALIZING
NEEDED!!**



MATERIAL PROPERTIES:

7075-T6511 Aluminum (Heat Treated)

Tensile Strength: 99 Ksi

Yield Strength: 93 Ksi

Brinell Hardness: 158

(K= 1,000 pounds per square inch)

**The TPS™ Rings are compatible with
Mil-STD 1913 (Picatinny) bases.**

RPS International Inc.

780-668-3395/780-962-1443 Fax

Joepono@telusplanet.net



TSR Scope Rings

TPS TSR Scope Rings are.....

Fully compatible with the following scope base manufactures:

Tactical Precision Systems, Inc. (XP Tactical Bases)

Badger Ordnance (Maximized Scope Bases)

PGWDTI (PGW Defence Technologies, Inc.)

Near Manufacturing, Inc.

NightForce Scope Bases

GG&G Scope Bases

IOR HD Tactical Scope Bases

A.R.M.S. Mounts

RPS International Inc.

780-668-3395/780-962-1443 Fax

Joepono@telusplanet.net

TSR™ RINGS
W-Series
WEAVER® COMPATIBLE
TACTICAL SCOPE RINGS



The **TSR™ "W" Series Rings** utilize the same unique design as our standard TSR™ rings, which allows the user to fully tighten the left side of the ring, uniquely allowing the user to precisely rotate the scope to adjust the scope reticle for proper position, then tighten the right side of the rings, guaranteeing that the scope will not rotate within the rings, which is virtually impossible in any other design.

Both base and cap of each scope ring is within 2/10,000 of an inch cylindrical roundness, guaranteeing as much as 98% scope tube to ring contact, compared to 40% on normal rings. The necessity of serializing and lapping scope rings are now obsolete.



The TSR™ tactical scope rings are manufactured from a solid billet. Available in 7075-T651 aluminum, 1215 alloy steel or 416 Stainless Steel. The rings and components are manufactured using state-of-the-art Computer Numerically Controlled (CNC) machines. Each and every part is processed and inspected to ISO 9002 quality standards throughout the manufacturing process.

The cross-bolt and tightening nut are from alloy steel for the aluminum and steel rings, finished with black oxide to Mil-C-13924 standards. The cross-bolt and hex nut are 304 stainless in stainless models. The ring body and cap are finished in a matte black hard anodize to Type III per Mil-A-8625 standards in the aluminum rings. In the steel rings, they are finished with black oxide to Mil-C-13924 standards. The stainless steel rings are bead blasted to a matte finish. The ring caps are securely fastened to the ring base with (4) four Torx® screws.

RPS International Inc.

780-668-3395/780-962-1443 Fax

Joepono@telusplanet.net



TSR™ RINGS
W-Series
WEAVER® COMPATIBLE
TACTICAL SCOPE RINGS

TPS W Scope Rings are.....

Fully compatible with the following scope base manufactures:

Weaver® and Weaver-Style Scope Bases

Tactical Precision Systems, Inc. (XP Tactical Bases)

Badger Ordnance (Maximized Scope Bases)

Farrell (Farrell Industries, Inc.) Scope Bases

PGWDTI (PGW Defence Technologies, Inc.)

Near Manufacturing, Inc.

NightForce Scope Bases

GG&G Scope Bases

IOR HD Tactical Scope Bases

A.R.M.S. Mounts

RPS International Inc.

780-668-3395/780-962-1443 Fax

Joepono@telusplanet.net



HRT Scope Rings

The **HRT™ "H" Series Rings** combine our ever-popular ZERO-CANT™ design along with eye-pleasing contours to enhance the beauty of your favorite rifle.

The HRT™ rings have all the quality and craftsmanship that you have come to expect, with a more slim-line design tailored toward those seeking to have a less tactical appearance about their rings.

The rings are fully compatible with Weaver® bases and Mil-STD 1913 (Picatinny bases.)



Both base and cap of each scope ring is within 2/10,000 of an inch cylindrical roundness, guaranteeing as much as 98% scope tube to ring contact, compared to 40% on normal rings. The necessity of serializing and lapping scope rings are now obsolete.

The HRT™ scope rings are manufactured from a solid billet of 1215 Alloy Steel or 7075-T651 aluminum alloy, depending upon your preference. The rings and components are manufactured using state-of-the-art Computer Numerically Controlled (CNC) machines. Each and every part is processed and inspected to ISO 9002 quality standards throughout the manufacturing process.

The square cross-slot recoil-lugs are 4140 Alloy Steel. In the alloy steel configuration, the ring body and cap are finished in a matte black with a black oxide finish to Mil-C-13924 standards. The 7075 Aluminum alloy rings are hard anodize to Type III per Mil-A-8625 standards. The ring caps are securely fastened to the ring base with (4) four Torx® screws.

RPS International Inc.

780-668-3395/780-962-1443 Fax

Joepono@telusplanet.net



HRT Scope Rings

TPS HRT Scope Rings are.....

Fully compatible with the following scope base manufactures:

Weaver® and Weaver-Style Scope Bases

Tactical Precision Systems, Inc. (XP Tactical Bases)

Badger Ordnance (Maximized Scope Bases)

Farrell (Farrell Industries, Inc.) Scope Bases

PGWDTI (PGW Defence Technologies, Inc.)

Near Manufacturing, Inc.

NightForce Scope Bases

GG&G Scope Bases

IOR HD Tactical Scope Bases

A.R.M.S. Mounts



PRICE LIST.....

RPS International Inc.

780-668-3395/780-962-1443 Fax

Joepono@telusplanet.net



TPS Tactical Precision Systems Inc.

TSR & W Scope Rings – 1”

Item	Product Description	Mfg Code	Price
1" TSR Scope Rings - STEEL			
1a	1" TSR Scope Rings - Steel - LOW	30500	\$ 92
1b	1" TSR Scope Rings - Steel - MED	30501	\$ 92
1c	1" TSR Scope Rings - Steel - HIGH	30502	\$ 94
1" TSR Scope Rings - Alum. 7075 (Aircraft grade)			
2a	1" TSR Scope Rings - Al 7075 - LOW	30520	\$ 85
2b	1" TSR Scope Rings - Al 7075 - MED	30521	\$ 85
2c	1" TSR Scope Rings - Al 7075 - HIGH	30522	\$ 88
1" TSR Scope Rings - Stainless Steel			
3a	1" TSR Scope Rings - Stainless Steel - LOW	30503	\$ 111
3b	1" TSR Scope Rings - Stainless Steel - MED	30504	\$ 111
3c	1" TSR Scope Rings - Stainless Steel - HIGH	30505	\$ 114
1" "W" - (Weaver/Farrell/Burris)Scope Rings - STEEL			
4a	1" "W" Scope Rings - Steel - LOW	30600	\$ 95
4b	1" "W" Scope Rings - Steel - MED	30601	\$ 95
4c	1" "W" Scope Rings - Steel - HIGH	30602	\$ 98
1" "W" - (Weaver/Farrell/Burris) Scope Rings - AL7075			
5a	1" "W" Scope Rings - Al 7075 - LOW	30620	\$ 89
5b	1" "W" Scope Rings - Al 7075 - MED	30621	\$ 89
5c	1" "W" Scope Rings - Al 7075 - HIGH	30622	\$ 92
1" "W" - (Weaver etc..) Scope Rings - Stainless Steel			
6a	1" "W" Scope Rings - Stainless Steel - LOW	30603	\$ 115
6b	1" "W" Scope Rings - Stainless Steel - MED	30604	\$ 115
6c	1" "W" Scope Rings - Stainless Steel - HIGH	30605	\$ 118

RPS International Inc.

780-668-3395/780-962-1443 Fax

Joepono@telusplanet.net



TPS Tactical Precision Systems Inc.

HRT Scope Rings – 1”

Item	Product Description	Mfg Code	Price
	1" HRT Scope Rings - STEEL		
7a	1" HRT Scope Rings - Steel - LOW	40500	\$ 87
7b	1" HRT Scope Rings - Steel - MED	40501	\$ 87
7c	1" HRT Scope Rings - Steel - HIGH	40502	\$ 92
	1" HRT Scope Rings - Alum. 7075 (Aircraft grade)		
8a	1" HRT Scope Rings - Al 7075 - LOW	40520	\$ 78
8b	1" HRT Scope Rings - Al 7075 - MED	40521	\$ 78
8c	1" HRT Scope Rings - Al 7075 - HIGH	40522	\$ 81
	1" HRT Scope Rings - Stainless Steel		
9a	1" HRT Scope Rings - Stainless Steel - LOW	40503	\$ 115
9b	1" HRT Scope Rings - Stainless Steel - MED	40504	\$ 115
9c	1" HRT Scope Rings - Stainless Steel - HIGH	40505	\$ 118

RPS International Inc.

780-668-3395/780-962-1443 Fax

Joepono@telusplanet.net



TPS Tactical Precision Systems Inc.

TSR & W Scope Rings – 30mm

Item	Product Description	Mfg Code	Price
30mm TSR Scope Rings - STEEL			
10a	30mm TSR Scope Rings - Steel - LOW	30570	\$ 100
10b	30mm TSR Scope Rings - Steel - MED	30571	\$ 100
10c	30mm TSR Scope Rings - Steel - HIGH	30572	\$ 104
30mm TSR Scope Rings - Alum. 7075 (Aircraft grade)			
11a	30mm TSR Scope Rings - Al 7075 - LOW	30580	\$ 94
11b	30mm TSR Scope Rings - Al 7075 - MED	30581	\$ 94
11c	30mm TSR Scope Rings - Al 7075 - HIGH	30582	\$ 97
30mm TSR Scope Rings - Stainless Steel			
12a	30mm TSR Scope Rings - Stainless Steel - LOW	30573	\$ 120
12b	30mm TSR Scope Rings - Stainless Steel - MED	30574	\$ 120
12c	30mm TSR Scope Rings - Stainless Steel - HIGH	30575	\$ 123
30mm "W" (Weaver/Farrell/Burris) Scope Rings - STEEL			
13a	30mm "W" Scope Rings - Steel - LOW	30673	\$ 105
13b	30mm "W" Scope Rings - Steel - MED	30674	\$ 105
13c	30mm "W" Scope Rings - Steel - HIGH	30675	\$ 107
30mm "W" (Weaver/Farrell/Burris) Scope Rings - AL7075			
14a	30mm "W" Scope Rings - Al 7075 - LOW	30680	\$ 98
14b	30mm "W" Scope Rings - Al 7075 - MED	30681	\$ 98
14c	30mm "W" Scope Rings - Al 7075 - HIGH	30682	\$ 101
30mm "W" (Weaver etc) Scope Rings Stainless Steel			
15a	30mm "W" Scope Rings - Stainless Steel - LOW	30603	\$ 124
15b	30mm "W" Scope Rings - Stainless Steel - MED	30604	\$ 124
15c	30mm "W" Scope Rings - Stainless Steel - HIGH	30605	\$ 127

RPS International Inc.

780-668-3395/780-962-1443 Fax

Joepono@telusplanet.net



TPS Tactical Precision Systems Inc.

HRT Scope Rings – 30mm

Item	Product Description	Mfg Code	Price
	30mm HRT Scope Rings - STEEL		
16a	30mm HRT Scope Rings - Steel - LOW	40500	\$ 97
16b	30mm HRT Scope Rings - Steel - MED	40501	\$ 97
16c	30mm HRT Scope Rings - Steel - HIGH	40502	\$ 102
	30mm HRT Scope Rings - Alum. 7075 (Aircraft grade)		
17a	30mm HRT Scope Rings - Al 7075 - LOW	40520	\$ 84
17b	30mm HRT Scope Rings - Al 7075 - MED	40521	\$ 84
17c	30mm HRT Scope Rings - Al 7075 - HIGH	40522	\$ 90
	30mm HRT Scope Rings - Stainless Steel		
18a	30mm HRT Scope Rings - Stainless Steel - LOW	40503	\$ 124
18b	30mm HRT Scope Rings - Stainless Steel - MED	40504	\$ 124
18c	30mm HRT Scope Rings - Stainless Steel - HIGH	40505	\$ 127

RPS International Inc.

780-668-3395/780-962-1443 Fax

Joeponto@telusplanet.net



TPS Tactical Precision Systems Inc.



REMINGTON BASES 0 moa and 20 moa

Item	Product Description	Mfg Code	Price
	Rem 700 SHORT Action (SA)		
	Steel Bases		
19a	1 pc. Rem. SA - Steel 0MOA	30100	\$ 89
19b	1 pc. Rem. SA - Steel 20 MOA	30102	\$ 95
	Aluminum 7075 (Aircraft Grade)		
20a	1 pc. Rem. SA - Stainless Steel 0 MOA	30105	\$ 121
20b	1 pc. Rem. SA - Stainless Steel 20 MOA	30106	\$ 128
	Rem 700 LONG Action (LA)		
	Steel Bases		
22a	1 pc. Rem. LA - Steel 0MOA	30200	\$ 89
22b	1 pc. Rem. LA - Steel 20 MOA	20202	\$ 95
	Aluminum 7075 (Aircraft Grade)		
23a	1 pc. Rem. LA - Stainless Steel 0 MOA	30205	\$ 121
23b	1 pc. Rem. LA - Stainless Steel 20 MOA	30207	\$ 128
	Aluminum 7075 (Aircraft Grade)		
24a	1 pc. Rem. LA - 7075 0MOA	30210	\$ 75
24b	1 pc. Rem. LA - 7075 20 MOA	30212	\$ 78
	8-40 screw bases available - special order		

RPS International Inc.

780-668-3395/780-962-1443 Fax

Joepono@telusplanet.net



TPS Tactical Precision Systems Inc.

SAVAGE BASES SA - 0 moa and 20 moa

Item	Product Description	Mfg Code	Price
	SAVAGE SHORT ACTION - Accutrigger Right Hand only		
	Steel Bases		
25a	1 pc. Sav. SA - Steel 0MOA	30300	\$ 89
25b	1 pc. Sav. SA - Steel 20 MOA	30302	\$ 95
26a	1 pc. Sav. SA - Stainless Steel 0 MOA	30305	\$ 121
26b	1 pc. Sav. SA - Stainless Steel 20 MOA	30307	\$ 128
	Aluminum 7075 (Aircraft Grade)		
27a	1 pc. Sav. SA - 7075 0MOA	30310	\$ 75
27b	1 pc. Sav. SA - 7075 20 MOA	30312	\$ 78
	8-40 screw bases available - special order		

RPS International Inc.

780-668-3395/780-962-1443 Fax

Joepono@telusplanet.net



TPS Tactical Precision Systems Inc.

WINCHESTER BASES 0 moa and 20 moa

Item	Product Description	Mfg Code	Price
	WINCHESTER SHORT ACTION - Bases - Right Hand only		
	WINCHESTER LONG ACTION - Bases - Right Hand only		
	available - special order		