

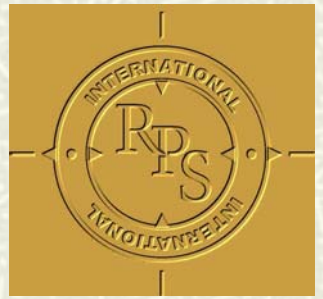
RPS International Inc.

2009

780-668-3395/780-962-1443 Fax

Sales@rpsinternational.com

Official Canadian Distributor



TPS Tactical Precision Systems Inc.



We are pleased to offer a product of this caliber; undoubtedly the best in the industry. TPS continues to produce the highest quality products at the lowest prices. Please take a moment to review the product details prior to ordering.

TPS offers 3 styles of scope rings in 1", 30, 34, 35 & 40mm.



HRT series....

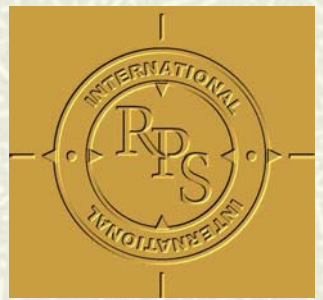


....TRS and W series

TPS offers Picatinny one piece bases/rails



Feb 2009 - Prices & Specs.
subject to change

Official Canadian Distributor**TSR Scope Rings.****TSR™ RINGS**

A .020 of an Inch gap to ensure adequate adjustment for variety of scope manufactures.

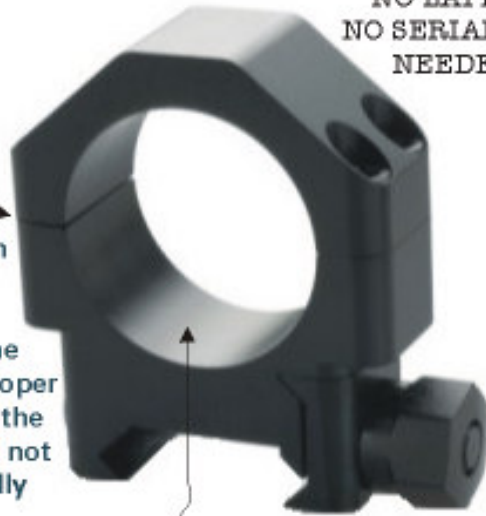
The TPS™ Rings utilize a unique design which allows the user to fully tighten the left side of the ring, uniquely allowing the user to precisely rotate the scope to adjust the scope reticle for proper position, then tighten the right side of the rings, guaranteeing that the scope will not rotate within the rings, which is virtually impossible in any other design.

Both Base and Cap of each scope ring is within .0002 of an Inch cylindrical roundness, guaranteeing as much as 98% scope tube to ring contact, compared to 40% on normal rings. The necessity of serializing or lapping scope rings are now obsolete.

TPS™ tactical rings are manufactured from a solid billet of 7075-T651 aluminum. The scope rings and components are manufactured using state-of-the-art Computer Numerically Controlled (CNC) machines. Each and every part is processed and inspected to ISO 9002 quality standards throughout the manufacturing process.

The cross bolt and tightening nut are from alloy steel, finished with black oxide to Mil-C-13924 standards. The ring body and cap are finished in a matte black hard anodized to Type III per Mil-A-8625 standards. The ring caps are securely clamped to the ring base with (4) four Torx® screws.

**NO LAPPING
NO SERIALIZING
NEEDED!!**

**MATERIAL PROPERTIES:**

7075-T6511 Aluminum (Heat Treated)

Tensile Strength: 99 Ksi

Yield Strength: 93 Ksi

Brinell Hardness: 158

(K=1,000 pounds per square inch)

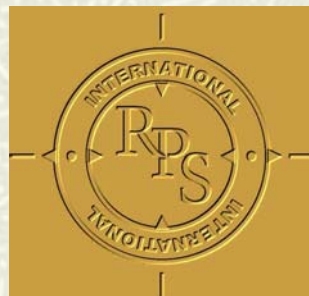
The TPS™ Rings are compatible with Mil-STD 1913 (Picatinny) bases.

RPS International Inc. 2009

780-668-3395/780-962-1443 Fax

Sales@rpsinternational.com

Official Canadian Distributor



TSR Scope Rings

TPS TSR Scope Rings are.....

Fully compatible with the following scope base manufactures:

Tactical Precision Systems, Inc. (XP Tactical Bases)

Badger Ordnance (Maximized Scope Bases)

PGWDTI (PGW Defence Technologies, Inc.)

Near Manufacturing, Inc.

NightForce Scope Bases

GG&G Scope Bases

IOR HD Tactical Scope Bases

A.R.M.S. Mounts

Official Canadian Distributor

TSR™ RINGS

W-Series

WEAVER® COMPATIBLE
TACTICAL SCOPE RINGS



The **TSR™ "W" Series Rings** utilize the same unique design as our standard TSR™ rings, which allows the user to fully tighten the left side of the ring, uniquely allowing the user to precisely rotate the scope to adjust the scope reticle for proper position, then tighten the right side of the rings, guaranteeing that the scope will not rotate within the rings, which is virtually impossible in any other design.

Both base and cap of each scope ring is within 2/10,000 of an inch cylindrical roundness, guaranteeing as much as 98% scope tube to ring contact, compared to 40% on normal rings. The necessity of serializing and lapping scope rings are now obsolete.



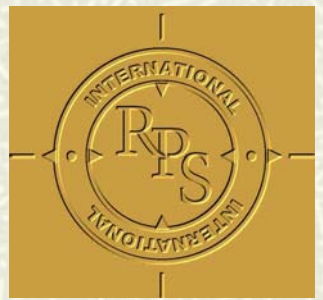
The TSR™ tactical scope rings are manufactured from a solid billet. Available in 7075-T651 aluminum, 1215 alloy steel or 416 Stainless Steel. The rings and components are manufactured using state-of-the-art Computer Numerically Controlled (CNC) machines. Each and every part is processed and inspected to ISO 9002 quality standards throughout the manufacturing process.

The **cross-bolt** and tightening nut are from alloy steel for the aluminum and steel rings, finished with black oxide to Mil-C-13924 standards. The cross-bolt and hex nut are 304 stainless in stainless models. The ring body and cap are finished in a matte black hard anodize to Type III per Mil-A-8625 standards in the aluminum rings. In the steel rings, they are finished with black oxide to Mil-C-13924 standards. The stainless steel rings are bead blasted to a matte finish. The ring caps are securely fastened to the ring base with (4) four Torx® screws. **HRT and W rings utilize a smaller cross-bolt to fit all brands of bases.**

TSR™ RINGS

W-Series

**WEAVER® COMPATIBLE
TACTICAL SCOPE RINGS**



TPS W Scope Rings are essentially identical to the TSR rings with exception to a thinner cross-bolt which allows the ring to fit all brands of Weaver style bases.....

Fully compatible with the following scope base manufactures:

Weaver® and Weaver-Style Scope Bases

Tactical Precision Systems, Inc. (XP Tactical Bases)

Badger Ordnance (Maximized Scope Bases)

Farrell (Farrell Industries, Inc.) Scope Bases

PGWDTI (PGW Defence Technologies, Inc.)

Near Manufacturing, Inc.

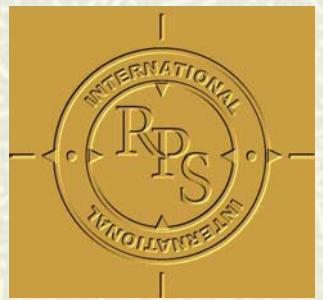
NightForce Scope Bases

GG&G Scope Bases

IOR HD Tactical Scope Bases

A.R.M.S. Mounts

Official Canadian Distributor



HRT Scope Rings

The **HRT™ "H" Series Rings** combine our ever-popular ZERO-CANT™ design along with eye-pleasing contours to enhance the beauty of your favorite rifle.

The HRT™ rings have all the quality and craftsmanship that you have come to expect, with a more slim-line design tailored toward those seeking to have a less tactical appearance about their rings.

The rings are fully compatible with Weaver® bases and Mil-STD 1913 (Picatinny bases.)

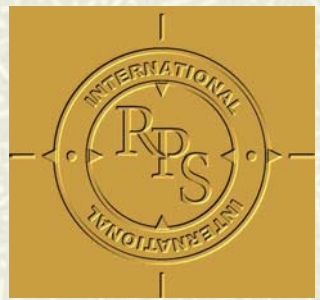


Both base and cap of each scope ring is within 2/10,000 of an inch cylindrical roundness, guaranteeing as much as 98% scope tube to ring contact, compared to 40% on normal rings. The necessity of serializing and lapping scope rings are now obsolete.

The HRT™ scope rings are manufactured from a solid billet of 1215 Alloy Steel or 7075-T651 aluminum alloy, depending upon your preference. The rings and components are manufactured using state-of-the-art Computer Numerically Controlled (CNC) machines. Each and every part is processed and inspected to ISO 9002 quality standards throughout the manufacturing process.

The square cross-slot recoil-lugs are 4140 Alloy Steel. In the alloy steel configuration, the ring body and cap are finished in a matte black with a black oxide finish to Mil-C-13924 standards. The 7075 Aluminum alloy rings are hard anodize to Type III per Mil-A-8625 standards. The ring caps are securely fastened to the ring base with (4) four Torx® screws.

Official Canadian Distributor



HRT Scope Rings

TPS HRT Scope Rings are the lightest base made by TPS. The lower portion of the ring is essentially identical to the TSR rings with exception to a thinner cross-bolt which allows the ring to fit all brands of Weaver style bases.....

Fully compatible with the following scope base manufactures:

Weaver® and Weaver-Style Scope Bases

Tactical Precision Systems, Inc. (XP Tactical Bases)

Badger Ordnance (Maximized Scope Bases)

Farrell (Farrell Industries, Inc.) Scope Bases

PGWDTI (PGW Defence Technologies, Inc.)

Near Manufacturing, Inc.

NightForce Scope Bases

GG&G Scope Bases

IOR HD Tactical Scope Bases

A.R.M.S. Mounts

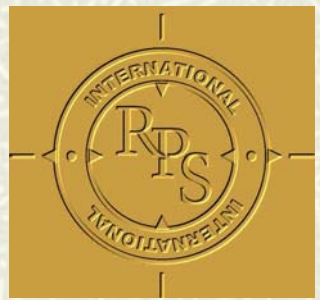
RPS International Inc.

2009

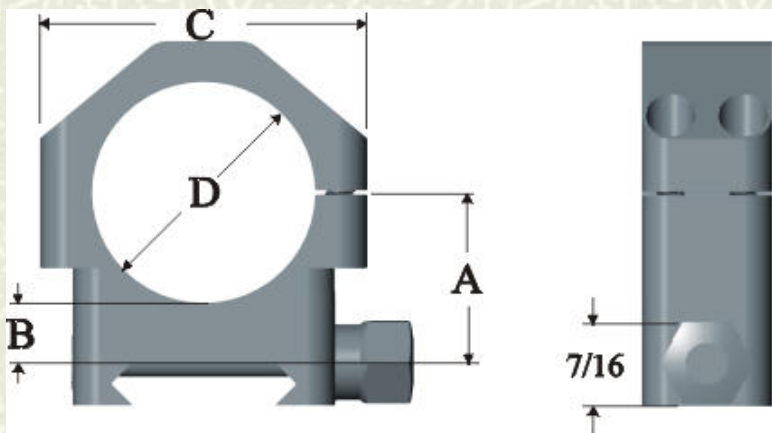
780-668-3395/780-962-1443 Fax

Sales@rpsinternational.com

Official Canadian Distributor



1" Scope Ring Sizing



Cross-Bolt Engagement Depth: .090 in.

Cross-Bolt Width TSR: 0.190 in.

TYPE	"A"	"B"	"C"	"D"
LOW	0.785	0.285	1.5	1.0005
MEDIUM	0.985	0.485	1.5	1.0005
HIGH	1.185	0.685	1.5	1.0005

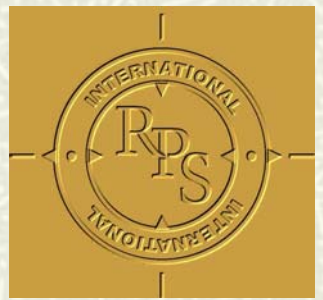
RPS International Inc.

2009

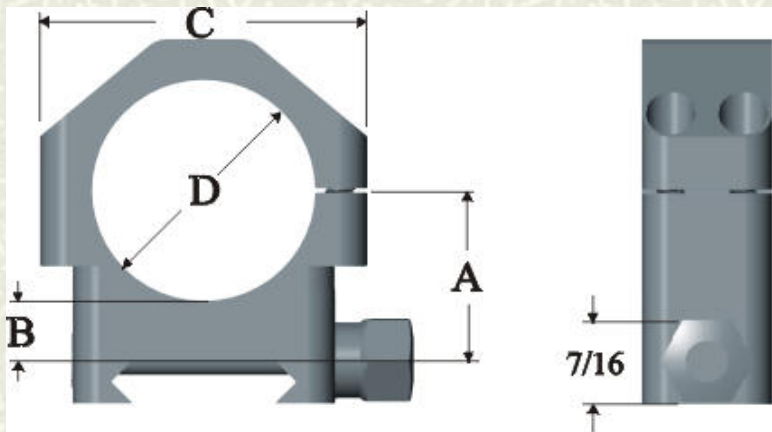
780-668-3395/780-962-1443 Fax

Sales@rpsinternational.com

Official Canadian Distributor



30mm Scope Ring Sizing



Cross-Bolt Engagement Depth: .090 in.

Cross-Bolt Width TSR: 0.190 in.

TYPE	"A"	"B"	"C"	"D"
LOW	0.925	0.3342	1.685	1.1816
MEDIUM	1.075	0.4842	1.685	1.1816
HIGH	1.225	0.6342	1.685	1.1816

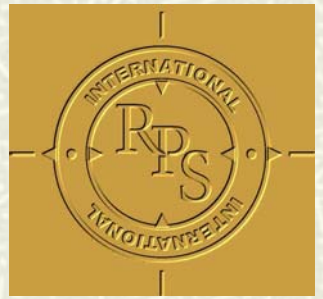
RPS International Inc.

2009

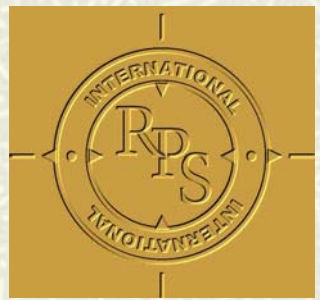
780-668-3395/780-962-1443 Fax

Sales@rpsinternational.com

Official Canadian Distributor



2009 PRICE LIST.....

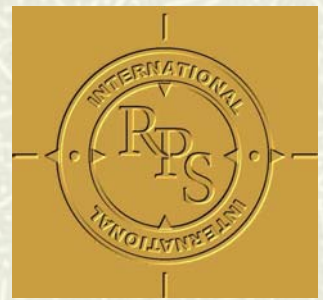


TSR & W Scope Rings – 1”

Item	Product Description	Mfg Code	Price
	1" TSR Scope Rings - STEEL		
1a	1" TSR Scope Rings - Steel - LOW	30500	\$ 112
1b	1" TSR Scope Rings - Steel - MED	30501	\$ 112
1c	1" TSR Scope Rings - Steel - HIGH	30502	\$ 116
	1" TSR Scope Rings - Alum. 7075 (Aircraft grade)		
2a	1" TSR Scope Rings - Al 7075 - LOW	30520	\$ 100
2b	1" TSR Scope Rings - Al 7075 - MED	30521	\$ 100
2c	1" TSR Scope Rings - Al 7075 - HIGH	30522	\$ 106
	1" TSR Scope Rings - Stainless Steel		
3a	1" TSR Scope Rings - Stainless Steel - LOW	30503	\$ 149
3b	1" TSR Scope Rings - Stainless Steel - MED	30504	\$ 149
3c	1" TSR Scope Rings - Stainless Steel - HIGH	30505	\$ 155
	1" "W" - (Weaver/Farrell/Burris)Scope Rings - STEEL		
4a	1" "W" Scope Rings - Steel - LOW	30600	\$ 112
4b	1" "W" Scope Rings - Steel - MED	30601	\$ 112
4c	1" "W" Scope Rings - Steel - HIGH	30602	\$ 116
	1" "W" - (Weaver/Farrell/Burris) Scope Rings - AL7075		
5a	1" "W" Scope Rings - Al 7075 - LOW	30620	\$ 100
5b	1" "W" Scope Rings - Al 7075 - MED	30621	\$ 100
5c	1" "W" Scope Rings - Al 7075 - HIGH	30622	\$ 106
	1" "W" - (Weaver etc..) Scope Rings - Stainless Steel		
6a	1" "W" Scope Rings - Stainless Steel - LOW	30603	\$ 149
6b	1" "W" Scope Rings - Stainless Steel - MED	30604	\$ 149
6c	1" "W" Scope Rings - Stainless Steel - HIGH	30605	\$ 155

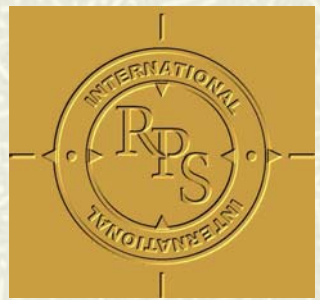
Official Canadian Distributor**TPS** Tactical Precision Systems Inc.**HRT Scope Rings – 1”**

Item	Product Description	Mfg Code	Price
	1" HRT Scope Rings - STEEL		
7a	1" HRT Scope Rings - Steel - LOW	40500	\$ 112
7b	1" HRT Scope Rings - Steel - MED	40501	\$ 112
7c	1" HRT Scope Rings - Steel - HIGH	40502	\$ 116
	1" HRT Scope Rings - Alum. 7075 (Aircraft grade)		
8a	1" HRT Scope Rings - Al 7075 - LOW	40520	\$ 100
8b	1" HRT Scope Rings - Al 7075 - MED	40521	\$ 100
8c	1" HRT Scope Rings - Al 7075 - HIGH	40522	\$ 106
	1" HRT Scope Rings - Stainless Steel		
9a	1" HRT Scope Rings - Stainless Steel - LOW	40503	\$ 150
9b	1" HRT Scope Rings - Stainless Steel - MED	40504	\$ 150
9c	1" HRT Scope Rings - Stainless Steel - HIGH	40505	\$ 155



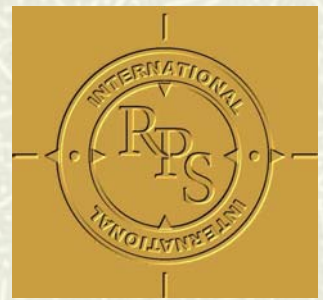
30MM TSR & W Scope Rings

Item	Product Description	Mfg Code	Price
	30mm TSR Scope Rings - STEEL		
10a	30mm TSR Scope Rings - Steel - LOW	30570	\$ 124
10b	30mm TSR Scope Rings - Steel - MED	30571	\$ 124
10c	30mm TSR Scope Rings - Steel - HIGH	30572	\$ 128
	30mm TSR Scope Rings - Alum. 7075 (Aircraft grade)		
11a	30mm TSR Scope Rings - Al 7075 - LOW	30580	\$ 110
11b	30mm TSR Scope Rings - Al 7075 - MED	30581	\$ 110
11c	30mm TSR Scope Rings - Al 7075 - HIGH	30582	\$ 114
	30mm TSR Scope Rings - Stainless Steel		
12a	30mm TSR Scope Rings - Stainless Steel - LOW	30573	\$ 160
12b	30mm TSR Scope Rings - Stainless Steel - MED	30574	\$ 160
12c	30mm TSR Scope Rings - Stainless Steel - HIGH	30575	\$ 175
	30mm "W" (Weaver/Farrell/Burris) Scope Rings - STEEL		
13a	30mm "W" Scope Rings - Steel - LOW	30670	\$ 124
13b	30mm "W" Scope Rings - Steel - MED	30671	\$ 124
13c	30mm "W" Scope Rings - Steel - HIGH	30672	\$ 128
	30mm "W" (Weaver/Farrell/Burris) Scope Rings - AL7075		
14a	30mm "W" Scope Rings - Al 7075 - LOW	30680	\$ 110
14b	30mm "W" Scope Rings - Al 7075 - MED	30681	\$ 110
14c	30mm "W" Scope Rings - Al 7075 - HIGH	30682	\$ 114
	30mm "W" (Weaver etc) Scope Rings Stainless Steel		
15a	30mm "W" Scope Rings - Stainless Steel - LOW	30673	\$ 160
15b	30mm "W" Scope Rings - Stainless Steel - MED	30674	\$ 160
15c	30mm "W" Scope Rings - Stainless Steel - HIGH	30675	\$ 175



30MM - HRT Scope Rings

Item	Product Description	Mfg Code	Price
	30mm HRT Scope Rings - STEEL		
16a	30mm HRT Scope Rings - Steel - LOW	40570	\$ 112
16b	30mm HRT Scope Rings - Steel - MED	40571	\$ 112
16c	30mm HRT Scope Rings - Steel - HIGH	40572	\$ 116
	30mm HRT Scope Rings - Alum. 7075 (Aircraft grade)		
17a	30mm HRT Scope Rings - Al 7075 - LOW	40580	\$ 100
17b	30mm HRT Scope Rings - Al 7075 - MED	40581	\$ 100
17c	30mm HRT Scope Rings - Al 7075 - HIGH	40582	\$ 106
	30mm HRT Scope Rings - Stainless Steel		
18a	30mm HRT Scope Rings - Stainless Steel - LOW	40503	\$ 146
18b	30mm HRT Scope Rings - Stainless Steel - MED	40504	\$ 146
18c	30mm HRT Scope Rings - Stainless Steel - HIGH	40505	\$ 153

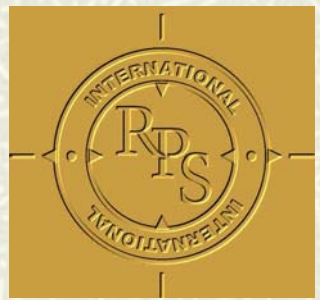


34MM - TSR Scope Rings

Item	Product Description	Mfg Code	Price
	34mm TSR Scope Rings - STEEL		
19a	34mm TSR Scope Rings - Steel - LOW	30590	\$ 169
19b	34mm TSR Scope Rings - Steel - MED	30591	\$ 169
19c	34mm TSR Scope Rings - Steel - HIGH	30592	\$ 189
19d	34mm TSR Scope Rings - Steel - X - HIGH	30593	\$ 199
	34mm TSR Scope Rings - Alum. 7075 (Aircraft grade)		
20a	34mm TSR Scope Rings - Al 7075 - LOW	30595	\$ 157
20b	34mm TSR Scope Rings - Al 7075 - MED	30596	\$ 157
20c	34mm TSR Scope Rings - Al 7075 - HIGH	30597	\$ 169
20d	34mm TSR Scope Rings - Al 7075 - X-HIGH	30598	\$ 190

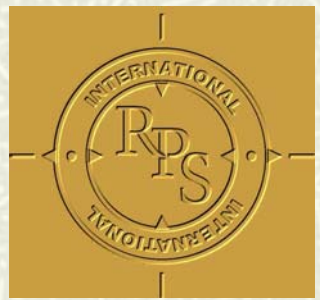
35MM - TSR Scope Rings

Item	Product Description	Mfg Code	Price
	35mm TSR Scope Rings - STEEL		
21a	35mm TSR Scope Rings - Steel - LOW	30700	\$ 169
21b	35mm TSR Scope Rings - Steel - MED	30701	\$ 169
21c	35mm TSR Scope Rings - Steel - HIGH	30702	\$ 189
21d	35mm TSR Scope Rings - Steel - X - HIGH	30703	\$ 199
	35mm TSR Scope Rings - Alum. 7075 (Aircraft grade)		
22a	35mm TSR Scope Rings - Al 7075 - LOW	30795	\$ 157
22b	35mm TSR Scope Rings - Al 7075 - MED	30796	\$ 157
22c	35mm TSR Scope Rings - Al 7075 - HIGH	30797	\$ 169
22d	35mm TSR Scope Rings - Al 7075 - X-HIGH	30798	\$ 190



REMINGTON BASES 0 moa and 20 moa

Item	Product Description	Mfg Code	Price
Rem 700 SHORT Action (SA)			
Steel Bases			
23a	1 pc. Rem. SA - Steel 0MOA	30100	\$ 115
23b	1 pc. Rem. SA - Steel 20 MOA	30102	\$ 120
Aluminum 7075 (Aircraft Grade)			
24a	1 pc. Rem. SA - Stainless Steel 0 MOA	30105	\$ 155
24b	1 pc. Rem. SA - Stainless Steel 20 MOA	30106	\$ 160
Rem 700 LONG Action (LA)			
Steel Bases			
22a	1 pc. Rem. LA - Steel 0MOA	30200	\$ 115
22b	1 pc. Rem. LA - Steel 20 MOA	20202	\$ 120
Aluminum 7075 (Aircraft Grade)			
23a	1 pc. Rem. LA - Stainless Steel 0 MOA	30205	\$ 155
23b	1 pc. Rem. LA - Stainless Steel 20 MOA	30207	\$ 160
Aluminum 7075 (Aircraft Grade)			
24a	1 pc. Rem. LA - 7075 0MOA	30210	\$ 105
24b	1 pc. Rem. LA - 7075 20 MOA	30212	\$ 110
8-40 screw bases available - special order			



SAVAGE BASES SA - 0 moa and 20 moa

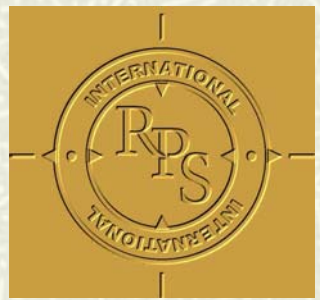
Item	Product Description	Mfg Code	Price
SAVAGE SHORT ACTION - Accutrigger Right Hand only			
Steel Bases			
25a	1 pc. Sav. SA - Steel 0MOA	30300	\$ 115
25b	1 pc. Sav. SA - Steel 20 MOA	30302	\$ 120
Aluminum 7075 (Aircraft Grade)			
26a	1 pc. Sav. SA - Stainless Steel 0 MOA	30305	\$ 155
26b	1 pc. Sav. SA - Stainless Steel 20 MOA	30307	\$ 160
8-40 screw bases available - special order			

RPS International Inc. 2009

780-668-3395/780-962-1443 Fax

Sales@rpsinternational.com

Official Canadian Distributor



TPS Tactical Precision Systems Inc.

WINCHESTER BASES 0 moa and 20 moa

Item	Product Description	Mfg Code	Price
	WINCHESTER SHORT ACTION - Bases - Right Hand only		
	WINCHESTER LONG ACTION - Bases - Right Hand only		
	available - special order		