



# SIGHTRON SIII 10-50x60 SCOPES



## KEY FEATURES:

### SIII Series One-Piece Main-Tube



All scopes in the SIII series feature a 30mm one-piece Main-Tube made from high quality Aircraft aluminum. Tube thickness is more than twice as thick as one inch models to provide maximum rigidity. All models are fogproof, shockproof and waterproof.

### All Weather Construction

This scope features the ultimate in all weather construction. They are waterproof, nitrogen filled and provide a lifetime of internal fog protection for inclement weather.

### Fast Focus Eyeball



A European style fast focus eyeball accompanies all SIII SS Long Range Models. A quick turn of the eye bell allows the user to focus in a matter of seconds. Tweaking the eye focus is just a small adjustment away.

### ExacTrack



This scope features Sightron's unique ExacTrack windage and elevation adjustment system. No other system on the market comes closest to the precision and performance of ExacTrack.

### SIII SS LR Target Knobs 1/8MOA / 50MOA Range



Large oversize target knobs with 1/8 inch adjustment. All models feature target knobs that are re-settable to zero. All target knobs are protected by large heavy windage and elevation caps.

### Side Focus System



Side Parallax focus is available on all SIIB SS models and SIII SS LR Series Riflescopes. Designed for ease of use in prone and bench shooting the side focus will focus from 10-40 yards to infinity depending on the specific model.

### ZACT-7 Revcoat Multi-Coating

All Sightron SIII LR Series Riflescopes feature ZACT-7 seven layer multi-coating with precision ground glass. These lenses provide superior light transmission and resolution for the ultimate in performance.



Sightron offers a Lifetime Warranty. To order Call 780-962-3395 or email [sales@rpsinternational.com](mailto:sales@rpsinternational.com)

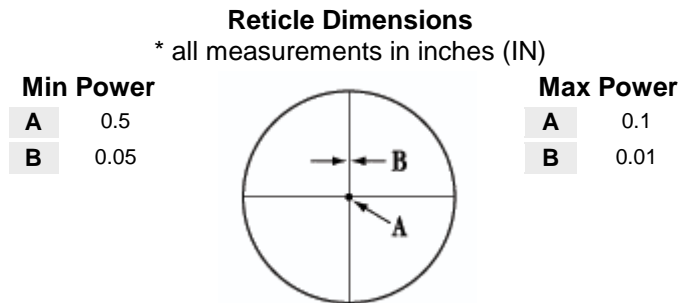
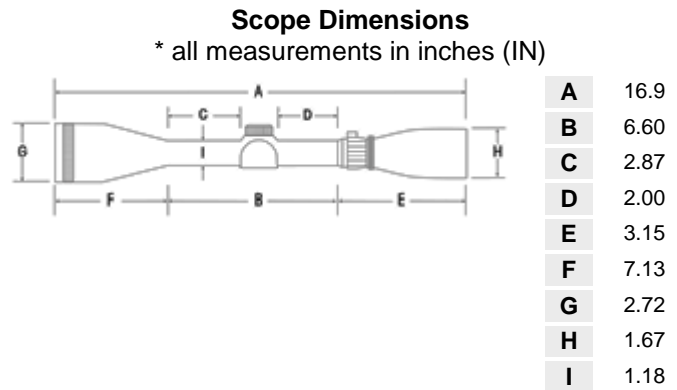


**RETICLE:**

**LR TD (LONG RANGE – TARGET DOT)**

**SISS 10-50x60 LR TD TECHNICAL INFORMATION**

<b>Name</b>	SISS1050X60LRTD
<b>Magnification</b>	10-50X
<b>Object Diameter</b>	60
<b>Eye Relief</b>	3.8-4.5
<b>Reticle Type</b>	Dot (0.125)
<b>Click Value</b>	1/8 MOA
<b>Fov</b>	9.6-2.2
<b>Length</b>	16.90
<b>Tube Diameter</b>	30mm
<b>Windage Elevation Travel</b>	50
<b>Weight</b>	28.92
<b>Finish</b>	Matte Black
<b>Minutes Per Revolution</b>	10
<b>Target Knobs</b>	Yes
<b>Sunshade Included</b>	No
<b>Fully Multi Coated</b>	Yes (Zact-7 TM 7-Layer)



**Other Models Available:**

3.5-10x56, 3.5-10x44, 6-24x50, and 8-32x56

Fixed Powers: 10x42, 16x42 and 20x42



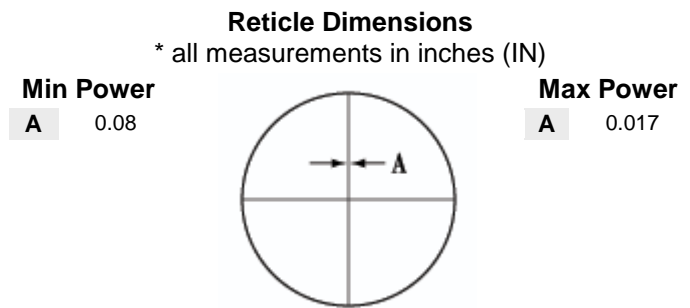
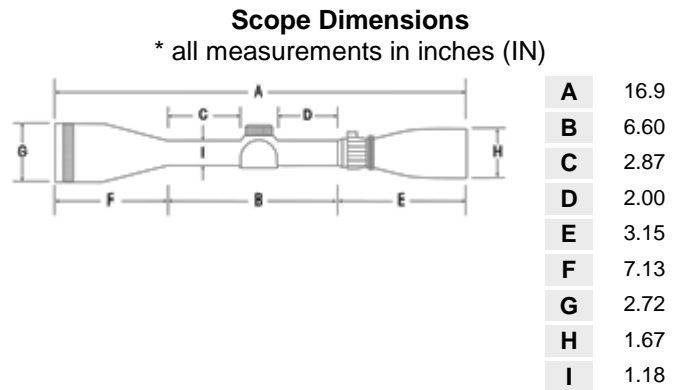


**RETICLE:**

**LR FCH (LONG RANGE – FINE CROSS HAIR)**

**SISS 10-50x60 LR FCH TECHNICAL INFORMATION**

<b>Name</b>	SIISS1050X60LRFCH
<b>Magnification</b>	10-50X
<b>Object Diameter</b>	60
<b>Eye Relief</b>	3.8-4.5
<b>Reticle Type</b>	Crosshair
<b>Click Value</b>	1/8 MOA
<b>Fov</b>	9.6-2.2
<b>Length</b>	16.90
<b>Tube Diameter</b>	30mm
<b>Windage Elevation Travel</b>	50
<b>Weight</b>	28.92
<b>Finish</b>	Matte Black
<b>Minutes Per Revolution</b>	10
<b>Target Knobs</b>	Yes
<b>Sunshade Included</b>	No
<b>Windage Elevation Knobs</b>	Target Type (Resetable)
<b>Adjustable Objective</b>	Side Focus
<b>Fully Multi Coated</b>	Yes (Zact-7 TM 7-Layer)



**Other Models Available:**

3.5-10x56, 3.5-10x44, 6-24x50, and 8-32x56

Fixed Powers: 10x42, 16x42 and 20x42

